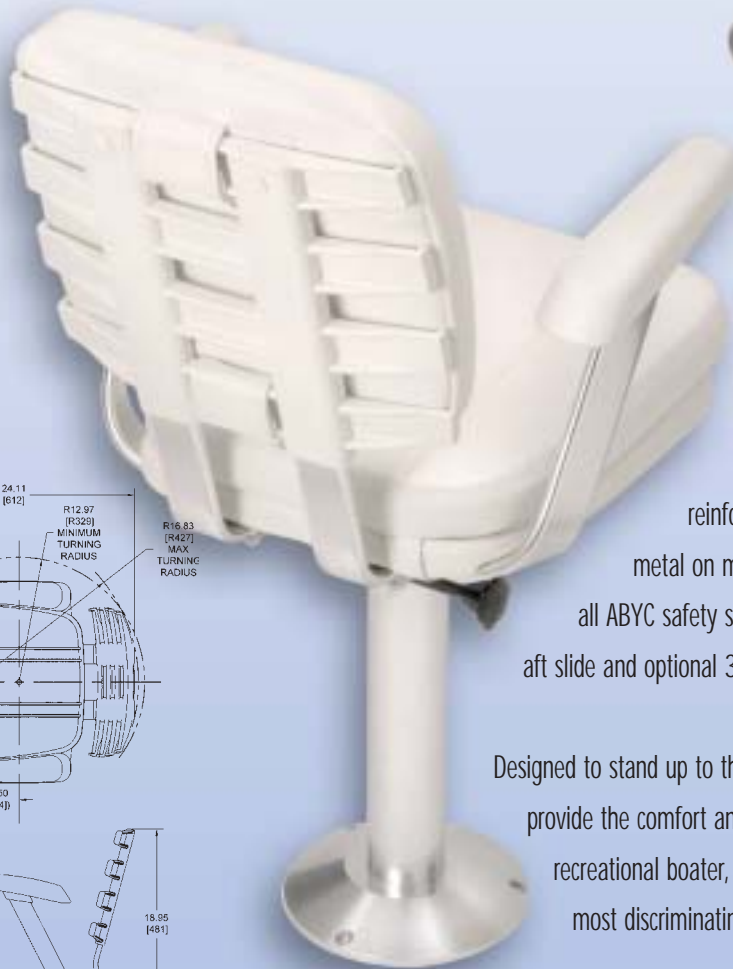




Pro Series Helmseat

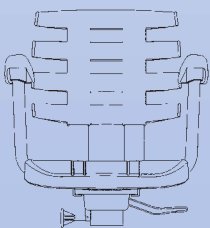
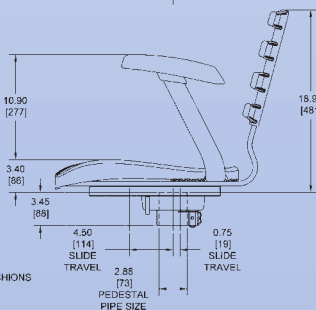
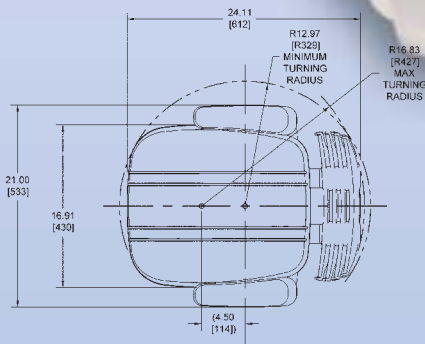
The Pompanette Pro Series Helmseat, a serious seat and a serious value. A true combination of quality and comfort, the Pro Series Helmseat offers unique features not found in any other helmseat on the market today. The traditional ladder back design has been improved using an over molding process to conceal the back support and eliminate unsightly fasteners. The sweeping arm supports constructed of highly polished, anodized aluminum are positioned to allow for maximum side to side leg movement. The contoured seat and curved back were designed after thorough ergonomic study to accommodate the broadest population range possible and still function in the small confines of a wheel house or fly bridge.

The Pro Series is a truly maintenance free seat. The back, seat, and arm pads are injection molded, UV stabilized polypropylene. The back and arms supports are made from highly polished anodized aluminum and the cushions, made of durable, marine grade vinyl, can easily be removed when the boat is not in use.



The slide mechanism features a glass reinforced, injection molded spider to eliminate metal on metal contact with the pedestal and meets all ABYC safety standards with a positive locking fore and aft slide and optional 360 degree rotational lock.

Designed to stand up to the rigors of an every day charter boat and provide the comfort and appeal demanded by the cruiser and recreational boater, the Pro Series is certain to appeal to the most discriminating users.



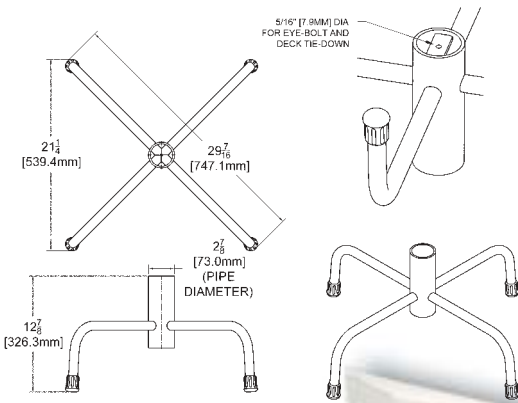
NOTE: DIMENSIONS DO NOT ACCOUNT FOR CUSHIONS

Showrooms and Customer Service

881 Production Place, Newport Beach, CA 92663 | Phone: (949) 650-0310 • Fax: (949) 650-1824
 1515 Southeast 16th Street, Fort Lauderdale, Florida 33316 | Phone: (954) 525-6367 • Fax: (954) 525-4025
 e-mail: pompanette@pompanette.com • web site: www.pompanette.com



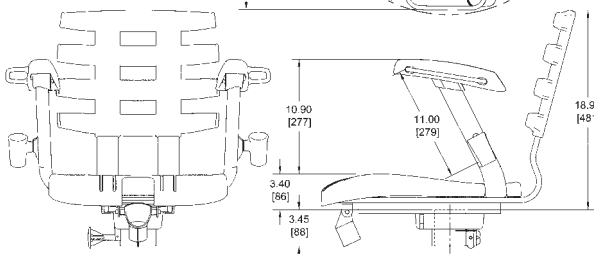
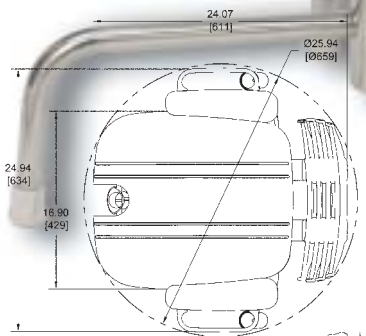
Pro Series Fishing Chair



NOTE: AVAILABLE IN STAINLESS STEEL OR ALUMINUM



Designed to complement the Pro Series Helmseat in appearance and built to the same demanding standards, the Pro Series Fishing Chair is constructed to stand up to the harsh demands of offshore fishing. Rated for tackle up to 50 Lbs. The Pro Series Fishing Chair offers all the features of the helm chair but is also equipped with a stainless steel gimbal and fixed position chair spider to suit both inshore and offshore fishing needs.



NOTE: DIMENSIONS DO NOT ACCOUNT FOR CUSHIONS

Designed to accommodate a fixed mount pedestal or a quad base, this chair can be permanently mounted or easily removed or positioned throughout cockpit.

Options Include:

- Fixed or Flush Mount Pedestal
- Aluminum or Stainless Quad Base
- Quad Base Tie Down Assembly

Showrooms and Customer Service

881 Production Place, Newport Beach, CA 92663 | Phone: (949) 650-0310 • Fax: (949) 650-1824
 1515 Southeast 16th Street, Fort Lauderdale, Florida 33316 | Phone: (954) 525-6367 • Fax: (954) 525-4025
 e-mail: pompanette@pompanette.com • web site: www.pompanette.com